

# KICKCLAMP CONNECTORS



TO:

REF:

DATE:

Please tick appropriate boxes and fill in relevant dimensional information

## YOUR ORDER

CUSTOMER NAME:

ORDER NUMBER:

DATE REQUIRED:

COMMENTS/NOTES:

### TYPES OF CONNECTOR

#### KICKGRIP KG

No. REQ'D

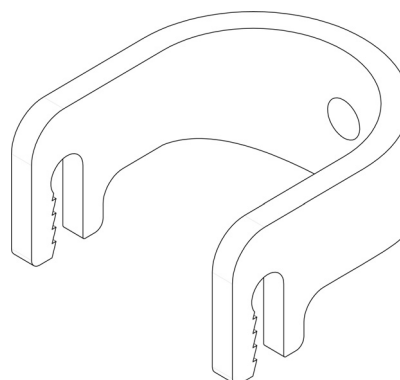
25NB

32NB

40NB

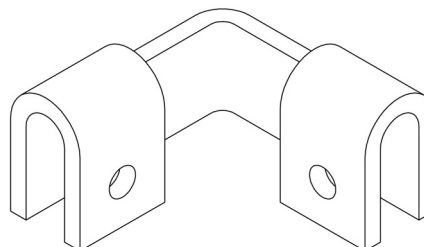
32ØS

38ØS



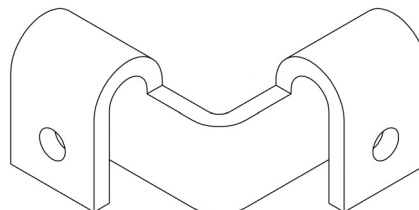

#### INTERNAL CORNER CONNECTOR KGC-2

No. REQ'D



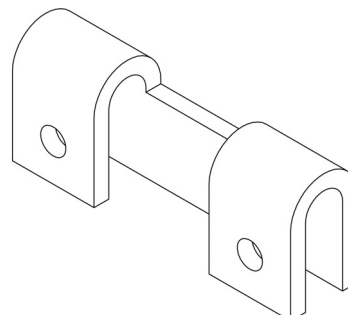

#### EXTERNAL CORNER CONNECTOR KGC-1

No. REQ'D




#### STRAIGHT KICKFLAT CONNECTOR KGC-3

No. REQ'D




#### KICKFLAT TO MESH CONNECTOR KM

No. REQ'D

